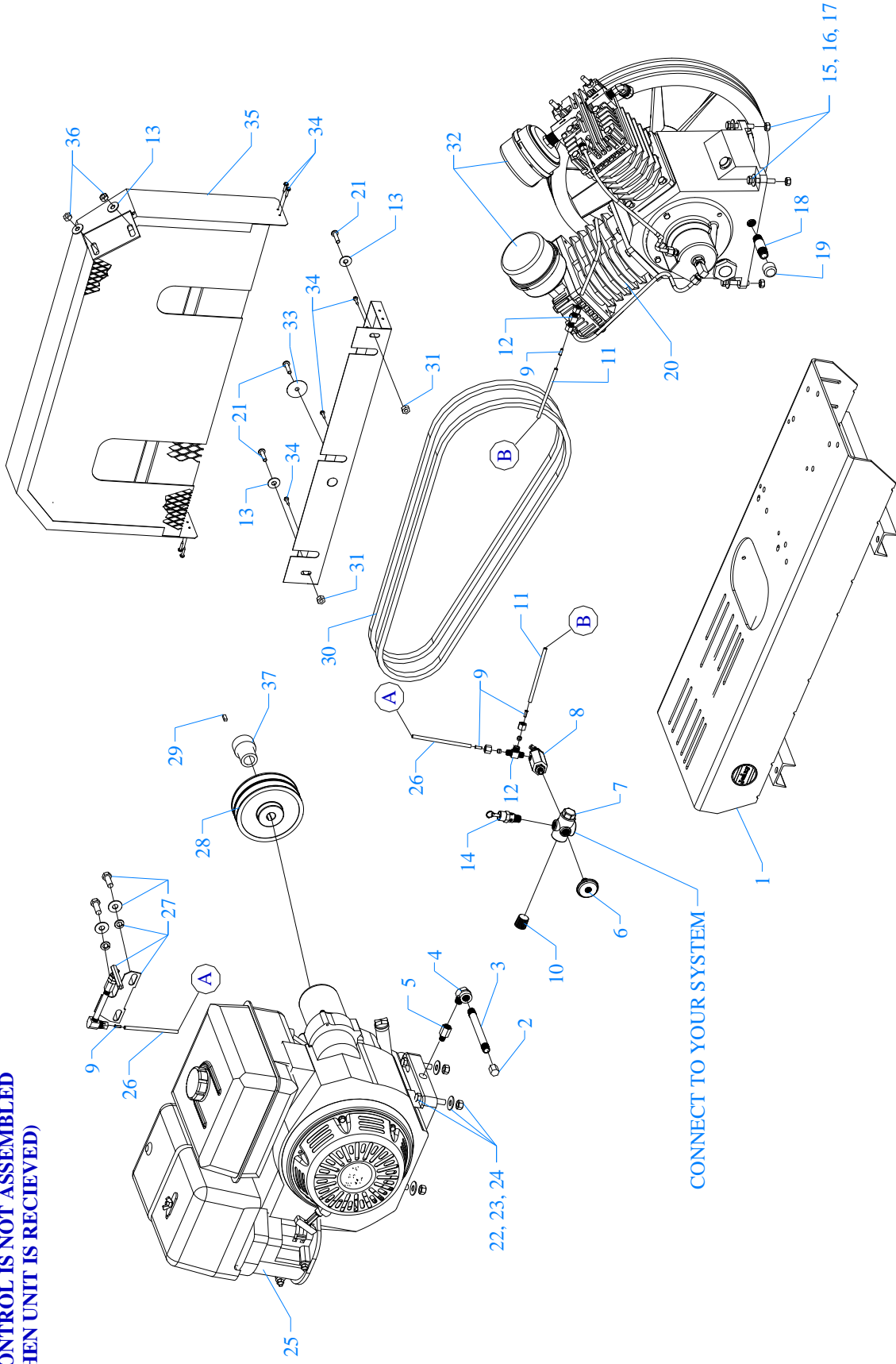


MODEL W11HGB - B

FOR IDLE CONTROL MOUNTING
 INSTRUCTIONS SEE DRAWING
 THAT SHOWS 11 HP HONDA
 (IDLE CONTROL IS NOT ASSEMBLED
 WHEN UNIT IS RECEIVED)



CONNECT TO YOUR SYSTEM

JENNY PRODUCTS, INC.
 850 N. Pleasant Ave.
 Somers, Pennsylvania 15501

Parts List for Model W11HGB-B

NOTE: The quantity number indicates the total number of pieces required for a complete unit repair.
When ordering parts give compressor model, serial number and part number. Order assemblies when possible.

<u>REF. NO.</u>	<u>PART NO.</u>	<u>DESCRIPTION</u>	<u>QTY.</u>
1	320-1064	DECK 32 X 12RE ENFORCED GAS	1
2	122-1126	CAP,HEX,MI,PLATED,1/4"NPT	1
3	122-1221	NIPPLE,STEEL,SCH 40,PLATED,1/4" x 9" L	1
4	121-1049	ELBOW,STREET,BRASS,1/4"NPT	1
5	150-1183	ADAPTER,DRAIN,OIL,BRASS,8&11HP,HONDA	1
6	142-1003	GAUGE,PSI,200#,BK MT,JENNY,1.5,1/4",PG14	1
7	220-1121	BLOCK,MANIFOLD,ZINC,5 HOLE,TAPPED,MC-5	1
8	141-1048	VALVE,PILOT,W/HAND UNLOADER,175PSI,1/4"M	1
9	121-1048	INSERT,TUBING,BRASS,1/4"OD NYLON	4
10	122-1047	PLUG,SOCKET,HEX,ST,PL,1/2" NPT	1
11	104-1010	TUBING,NYLON,BLACK,1/4"DIAX0.040WALL	3FT
12	121-1038	TEE,RUN,BRASS,1/4"TBX1/4TBX1/8"NPTM	1
13	120-1075	WASHER,FLAT,STEEL,PLATED,5/16"	4
14	141-1011	VALVE,SAFETY,ASME,1/4",200 PSI,SVU200	1
15	120-1009	SCREW,CAP,HEXHD,GR5,ST,PLTD,1/4-20X1-1/4	4
16	120-1116	NUT,LOCK,FLANGE,HEX,SERR,ST,PLTD,1/4-20	4
17	120-1072	WASHER,FENDER,ST,PLATED,1/4"X1-1/2"OD	4
18	122-1084	CAP,FEMALE,MI,3/8"NPT	1
19	122-1039	NIPPLE,STEEL,SCH 40,3/8" X 5" L	1
20	421-1502	PUMP,CMPSR,PISTON,REPLCMT,BLUE,WU	1
21	120-1267	SCREW,PAN HD,PHIL,STEEL,PLTD,1/4-20 X 1"	3
22	120-1075	WASHER,FLAT,STEEL,PLATED,5/16"	8
23	120-1119	NUT,LOCK,FLANGE,HEX,SERR,ST,PLTD,5/16-18	4
24	120-1289	SCREW,MACH,HEXHD,GR5,ST,PL,5/16-18X1-3/4	4

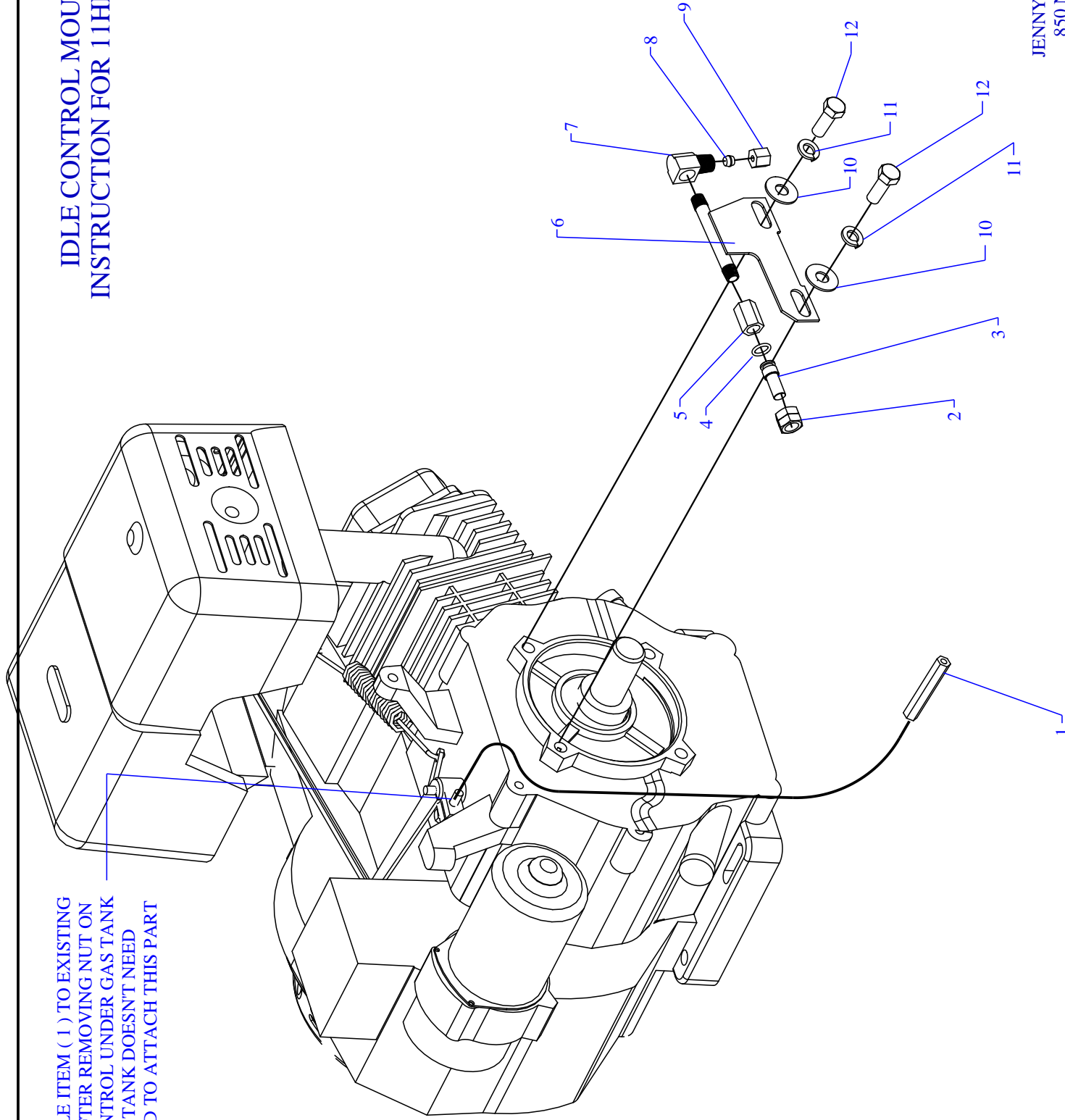
Parts List for Model W11HGB-B

NOTE: The quantity number indicates the total number of pieces required for a complete unit repair.
When ordering parts give compressor model, serial number and part number. Order assemblies when possible.

<u>REF. NO.</u>	<u>PART NO.</u>	<u>DESCRIPTION</u>	<u>QTY.</u>
25	131-1023	ENGINE,GAS,HONDA,11 HP,E/S,GX340K1QAE2	1
26	104-1010	TUBING,NYLON,BLACK,1/4"DIAX0.040WALL	3FT
27	320-1082	CONTROL,IDLE,HONDA,11HP,ASSY,TIC-11HG	1
28	154-1165	PULLEY,CI,DG,3.5PDA,1ID,2AK39X1	1
29	120-1109	KEY,STEEL,BLACK,5/16X5/16X 1-1/2" LENGTH	1
30	154-4700	BELT,VEE,A60,4L-700	2
31	120-1116	NUT,LOCK,FLANGE,HEX,SERR,ST,PLTD,1/4-20	2
32	320-1121	FILTER,W/DECALS,ASSY,G154S	2
33	120-1072	WASHER,FENDER,ST,PLATED,1/4"X1-1/2"OD	1
34	120-1177	SCREW,SELF DRILL,HEX,ST,PL,12 X 3/4	7
35	320-1180	BELTGUARD,GT,W/PAN,4.13WX14.89HX30.25LG	1
36	120-1119	NUT,LOCK,FLANGE,HEX,SERR,ST,PLTD,5/16-18	2
NOT SHOWN	610-1225	KIT,ELEMENT,FILTER,G54E,PKG OF 4,G54EP	1
NOT SHOWN	105-1209	OIL,PUMP,SYNTHETIC,BLUE,1 QUART,ESQ	1

ASSEMBLE ITEM (1) TO EXISTING
BOLT AFTER REMOVING NUT ON
IDLE CONTROL UNDER GAS TANK
NOTE TANK DOESN'T NEED
REMOVED TO ATTACH THIS PART

IDLE CONTROL MOUNTING INSTRUCTION FOR 11HP HONDA



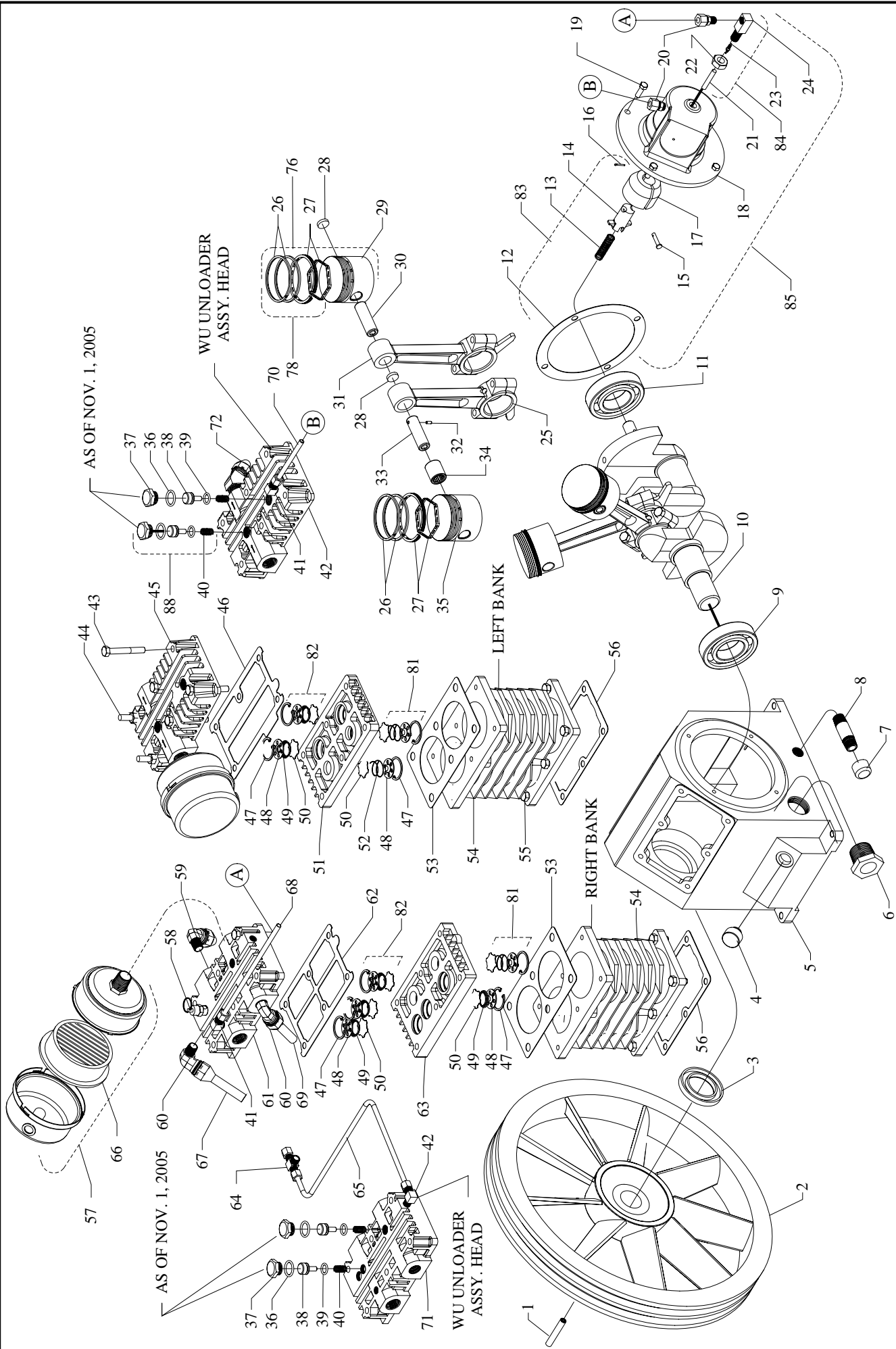
JENNY PRODUCTS, INA.
850 N. Pleasant Ave.
Somerset, Pennsylvania 15501

Parts List for 11&13HP Honda Throttle Idle Control

NOTE: The quantity number indicates the total number of pieces required for a complete unit repair.

When ordering parts give compressor model, serial number and part number. Order assemblies when possible.

<u>REF. NO.</u>	<u>PART NO.</u>	<u>DESCRIPTION</u>	<u>QTY.</u>
1	220-1061	LEVER,CONTROL,IDLE,HONDA,8HP,LIC-8HG	1
2	121-1083	NUT,COMPRESSION,TUBING,BRASS,3/8"	1
3	150-1064	PISTON,CONTROL,IDLE,THROTTLE,HONDA	1
4	104-1021	RING,O,BUNA-N,5/16"IDX7/16"ODX1/16"THK	1
5	150-1063	CYLINDER,CONTROL,IDLE,THROTTLE,BRASS,TIC	1
6	150-1139	BRACKET,CONTROL,IDLE,THROTTLE,11HP,HONDA	1
7	121-1037	ELBOW,FEMALE,COMPRESSION,BR,1/4TBX1/8"N	1
8	121-1080	SLEEVE,COMPRESSION,BRASS,1/4"	1
9	121-1082	NUT,COMPRESSION,TUBING,BRASS,1/4"	1
10	120-1078	WASHER,FLAT,STEEL,PLATED,USS,3/8"	2
11	120-1077	WASHER,LOCK,SPLIT,STEEL,PLATED,3/8"	2
12	120-1032	SCREW,CAP,HEXHD,GR5,ST,PLTD,3/8-16X1	2



JENNY PRODUCTS, INC.
 850 N. Pleasant Ave.
 Somerset, Pennsylvania 15501

MODEL W & WU
 Four Cylinder Two Stage
 2-1/2 (3) -2-1/2 Bore X 3-1/4 Stroke

Copyright 2006

Parts List for Model W & WU

NOTE: The quantity number indicates the total number of pieces required for a complete pump repair.
When ordering parts give compressor model, serial number and part number. Order assemblies when possible.

<u>REF. NO.</u>	<u>PART NO.</u>	<u>DESCRIPTION</u>	<u>QTY.</u>
1	120-1166	PIN,FLYWHEEL, STL, 5/16 ODX 1-1/4 L, W25	1 EA
2	220-1094	FLYWHEEL, W PUMP, CI, 16" DIA, 2 GROOVE, W23A	1 EA
3	150-1038	SEAL, OIL, LIP, SINGLE, 1.575 DIA, W11	1 EA
4	610-1051	PLUG, FILL, OIL, W/O-RING&DIPSTICK, ASSY, W14	2 EA
5	220-1036	CRANKCASE, W PUMP, CI, MACHINED, W1	1 EA
6	360-1114	SIGHT GLASS 1" INSTALLED LOW	1 EA
7	122-1084	CAP, FEMALE, MI, 3/8" NPT	1 EA
8	122-1037	NIPPLE, STEEL, SCH 40, 3/8" X 2" L	1 EA
9	150-1031	BEARING, BALL, W9	1 EA
10	220-1038	CRANKSHAFT, W PUMP, CI, MACHINED, W20	1 EA
11	150-1032	BEARING, BALL, W10	1 EA
12	104-1014	GASKET, CAP, BEARING, W PUMP, 1/32THK, W3	1 EA
13	150-1081	COIL SPRING C/U UNLOADER ZN	1 EA
14	220-1049	TUBE, OPERATING, CENTRIFICAL UNLOADER, EQ71	1 EA
15	120-1169	PIN, COTTER, ST, BLACK, 1\16 DIA X 1\2 LG, EQ73B	1 EA
16	610-1066	PIN, PIVOT, UNLDR, CNTRFCL, W/CTTR PIN, EQ73	1 EA
17	610-1167	UNLOADER, CENTRIFUGAL, WEIGHT, SET, EQ70	1 EA
18	220-1037	CAP, BEARING, W PUMP, CI, MACHINED, W2	1 EA
19	120-1002	SCREW, CAP, HEXHD, GR5, ST, BLK, 1/4-20X5/8 (15 FT - LB.	4 EA
20	121-1025	CONNECTOR, MALE, COMPRESSION, BR, 1/4TBX1/8"	2 EA
21	220-1050	PIN, UNLOADER, CENTRIFICAL, EQ74D	1 EA
22	120-1171	NUT, HEX, JAM, STEEL, PLATED, 7/16-20, EQ74C	1 EA
23	120-1170	VALVE, CORE, EQ74A	1 EA

Parts List for Model W & WU

NOTE: The quantity number indicates the total number of pieces required for a complete pump repair.
When ordering parts give compressor model, serial number and part number. Order assemblies when possible.

<u>REF. NO.</u>	<u>PART NO.</u>	<u>DESCRIPTION</u>	<u>QTY.</u>
24	150-1035	BODY,UNLOADER,EQ74B	1 EA
25	310-1012	ROD,CONNECTING,AL,HIGH PRESSURE,W21W	1 EA
26	150-1003	RING,COMPRESSION,PISTON,STEEL,EBA 22,K33	8 EA
27	610-1065	KIT,RING,OIL,W/EXPANDER,ASSY,K34	4 EA
28	104-1103	BUMPER,WRIST PIN,PLASTIC,K36A	6 EA
29	220-1005	PISTON,PUMP,ALUMINUM,MACHINED,K32	3 EA
30	150-1005	PIN,PISTON,STEEL,HARDENED,K35	3 EA
31	310-1007	ROD,CONNECTING,PUMP,ALUM,MACHINED,W21	3 EA
32	120-1165	PIN,ROLLED,STEEL,BLACK,1/8ODX5/16L,EQ37	1 EA
33	150-1039	PIN,PISTON,STEEL,EQ35	1 EA
34	150-1034	BEARING,NEEDLE,EQ38	1 EA
35	220-1042	PISTON,MACHINED,2 STAGE,K32W	1 EA
36	104-1015	RING,O,BUNA-N,1/2"IDX11/16"ODX3/32"THK	4 EA
37	122-1051	PLUG,HEX ,BRASS,11/16-16 UN-2B X .550	4 EA
38	150-1028	PISTON,UNLOADER,VALVE,CHECK,BRASS,KU81	4 EA
39	104-1020	RING,O,SILICON,7/16"IDX5/8"ODX3/32"THK	4 EA
40	150-1020	SPRING,VALVE,UNLOADER,INTAKE, KU83	4 EA
41	121-1032	ELBOW,MALE,COMPRESSION,BR,1/4TBX1/8"NPTM	3 EA
42	220-1016	HEAD,UNLOADING,G PUMP,CI,6HOLES,LU80	1 EA
43	120-1028	SCREW,CAP,HEXHD,GR5,ST,BLK,5/16-18X2-1/4(22FT-LB)	10 EA
44	120-1252	BOLT,STUD,HEX,ST,5/16-18X2-1/4X5/8,K52-1(22FT-LB)	2 EA
45	310-1004	HEAD,START/STOP,G PUMP,REPLACEMNT,L50 (LEFT HEAD)	1 EA
46	104-1008	GASKET,HEAD,K&G&W PUMP,1/32THK,L51	1 EA

Parts List for Model W & WU

NOTE: The quantity number indicates the total number of pieces required for a complete pump repair.
When ordering parts give compressor model, serial number and part number. Order assemblies when possible.

<u>REF. NO.</u>	<u>PART NO.</u>	<u>DESCRIPTION</u>	<u>QTY.</u>
47	150-1041	RETAINER, VALVE, STEEL, PAS, 0.062" THK, K43	9 EA
48	109-1010	VALVE, CHECK, BUMPER, STEEL, K44	9 EA
49	150-1018	SPRING, CONE, SS, VALVE, DISCHARGE, K46	6 EA
50	109-1011	VALVE, DISC, STEEL, K47	9 EA
51	220-1013	PLATE, VALVE, L PUMP, CI, MACHINED, L40	1 EA
52	150-1017	SPRING, CONE, SS, VALVE, INTAKE, K45	3 EA
53	104-1007	GASKET, PLATE, VALVE, K&G&W PUMP, 1/32TK, L41	2 EA
54	360-1152	CYLINDER W30 REPLACEMENT BLUE W30	2 EA
55	120-1017	SCREW, CAP, HEXHD, GR5, ST, BLK, 5/16-18X3/4 (15 FT - LB.)	12 EA
56	104-1006	GASKET, CYLINDER, K&G&W PUMP, 1/32THK, K31	2 EA
57	320-1121	FILTER, W/DECALS, ASSY, G154S	2 EA
58	141-1006	VALVE, SAFETY, NON-CODE, 1/4", 65 PSI, SV65	1 EA
59	121-1013	ELBOW, MALE, BRASS, 1/2-45SAEX1/2"NPTM	2 EA
60	121-1015	ELBOW, MALE, BRASS, 5/8-45SAEX1/2"NPTM	1 EA
61	310-1022	HEAD, START/STOP, EQ PUMP (RIGHT HEAD)	1 EA
62	104-1013	GASKET, HEAD, K&G&W PUMP, 1/32THK, EQ51	1 EA
63	220-1041	PLATE, VALVE, W PUMP, CI, MACHINED, W40	1 EA
64	121-1039	TEE, BRANCH, BRASS, 1/4"TBX1/4"TBX1/8"NPTM	1 EA
65	610-1136	TUBING, UNLOADER, HEAD-HEAD, W PUMP, WU88	1 EA
66	150-1104	ELEMENT, FILTER, AIR, (92 EMGLO), G54E	2 EA
67	610-1057	INTERCOOLER, FINNED, W/FLARE NUTS, ASY, EQ65	1 EA
68	610-1135	TUBE, UNLOADER, CENTRIFUGAL, W PUMP, CU, W78	1 EA

Parts List for Model W & WU

NOTE: The quantity number indicates the total number of pieces required for a complete pump repair.
When ordering parts give compressor model, serial number and part number. Order assemblies when possible.

<u>REF. NO.</u>	<u>PART NO.</u>	<u>DESCRIPTION</u>	<u>QTY.</u>
69	610-1059	INTERCOOLER,FINNED,W/FLARE NUTS,ASSY,W65	1 EA
70	610-1134	TUBE,BREATHER,COPPER,BENT,J&W PUMP,W18	1 EA
71	220-1043	HEAD,UNLOADING,EQ PUMP,CI,6HOLES,EQ80	1 EA
72	121-1015	ELBOW,MALE,BRASS,5/8-45SAEX1/2"NPTM	1 EA
73	610-1050	KIT,GASKET,W PUMP,ASSY,W100 SET INCLUDES 12, 2 OF 56, 2 OF 53, 46, 62	1 EA
74	610-1132	KIT,BASIC,REPAIR,W PUMP,W101 KIT INCLUDES (2) 78, 73, 79, 80, 81(3) 82(6)	1 EA
75	610-1133	KIT,BASIC,REPAIR,WU PUMP,WU101 SAME AS 73, W / (4) 88	1 EA
76	610-1028	PISTON,W/RINGS&PIN,ASSY,K132	3 EA
77	610-1013	PISTON,HIGH PSI,W/RINGS&PIN,ASSY,EQ132	1 EA
78	610-1020	KIT,PUMP,RING,PISTON,F&K&G&W PUMP,K133	2 EA
79	610-1045	PLATE,VALVE,W/VALVES,ASSY,L140 INSTALLED W / 53, 46 GASKET	1 EA
80	610-1052	PLATE,VALVE,RIGHT,W/VALVES,ASSY,W140 INSTALLED W / 53, 62 GASKETS	1 EA
81	610-1031	VALVE,CHECK,SUCTION,ASSY,K145	3 EA
82	610-1032	VALVE,CHECK,DISCHARGE,ASSY,K146	6 EA
83	610-1053	WEIGHT,UNLOADER,CENTRIFICAL,W/GSKT,W170 ASSY, W / GASKET,INCLUDES 12, 13, 14, 16, 17	1 EA
84	310-1016	VALVE,UNLOADER,CENTRIFICAL,ASSY,EQ174 ASSY. INCLUDES 20, 21, 22, 23, 24	1 EA
85	610-1054	UNLOADER,CENTRIFICAL,W/B CAP,ASSY,W175 ASSY. W / BEARING CAP, TUBING AND GASKET	1 EA
86*	310-1008	HEAD,UNLOADING,K&G,W/1/2"PRT 6 HLE,LU180 COMPLETE W / UNLOADERS (RIGHT HEAD)	1 EA
86**	310-1013	HEAD UNLOADING,SVC REPLACEMENT,EQ180	1 EA

Parts List for Model W & WU

NOTE: The quantity number indicates the total number of pieces required for a complete pump repair.
When ordering parts give compressor model, serial number and part number. Order assemblies when possible.

<u>REF. NO.</u>	<u>PART NO.</u>	<u>DESCRIPTION</u>	<u>QTY.</u>
		(LEFT HEAD) NEW AS OF 12/1/05	
87	610-1042	VALVE,UNLOADER,HEAD,PUMP,ASSY,KU181 INCLUDES 36,37, 38, 39, 40	1 EA

86* for units built after serial #D110105001

86** for units built before serial #D103105001