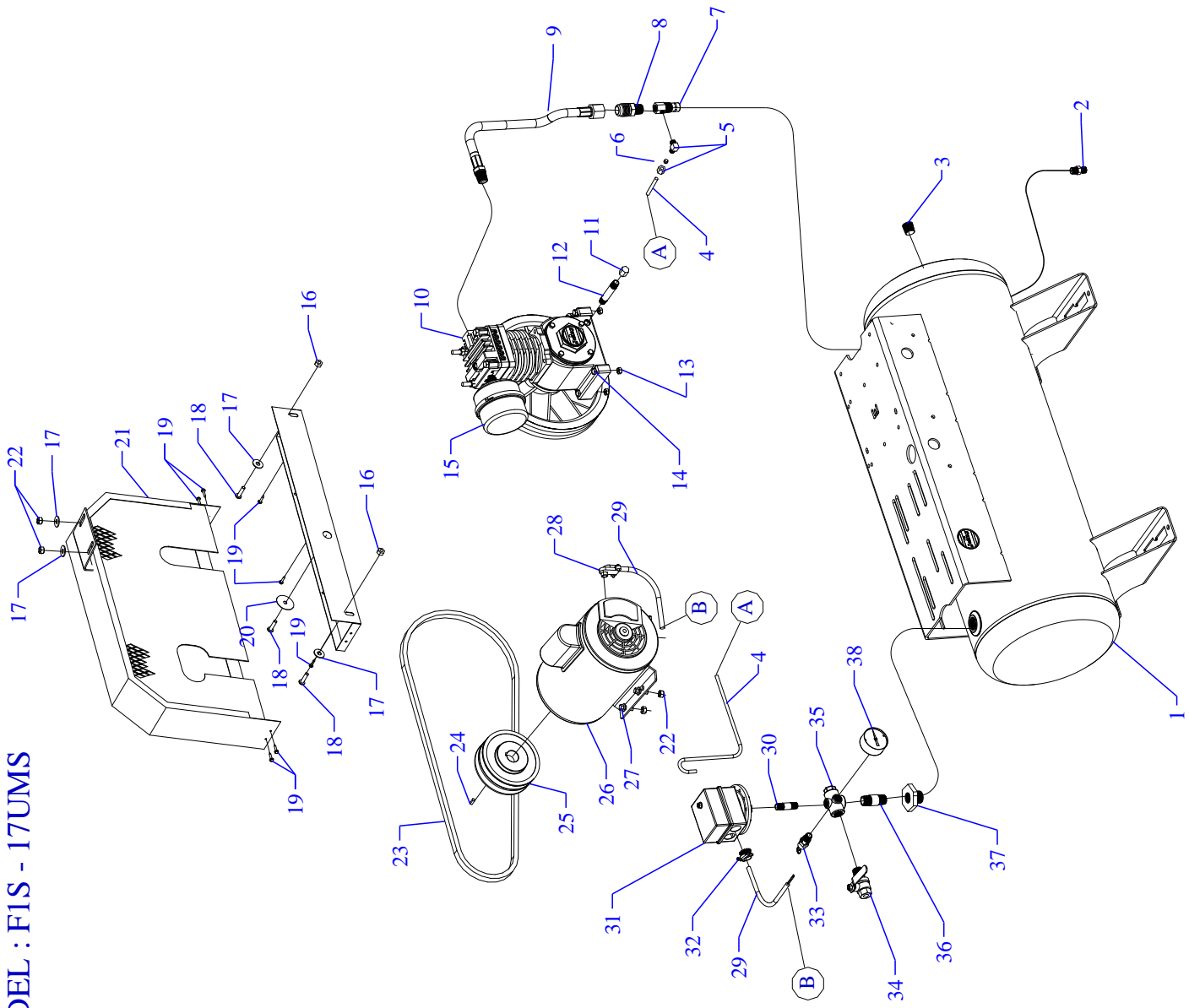


MODEL : F1S - 17UMS



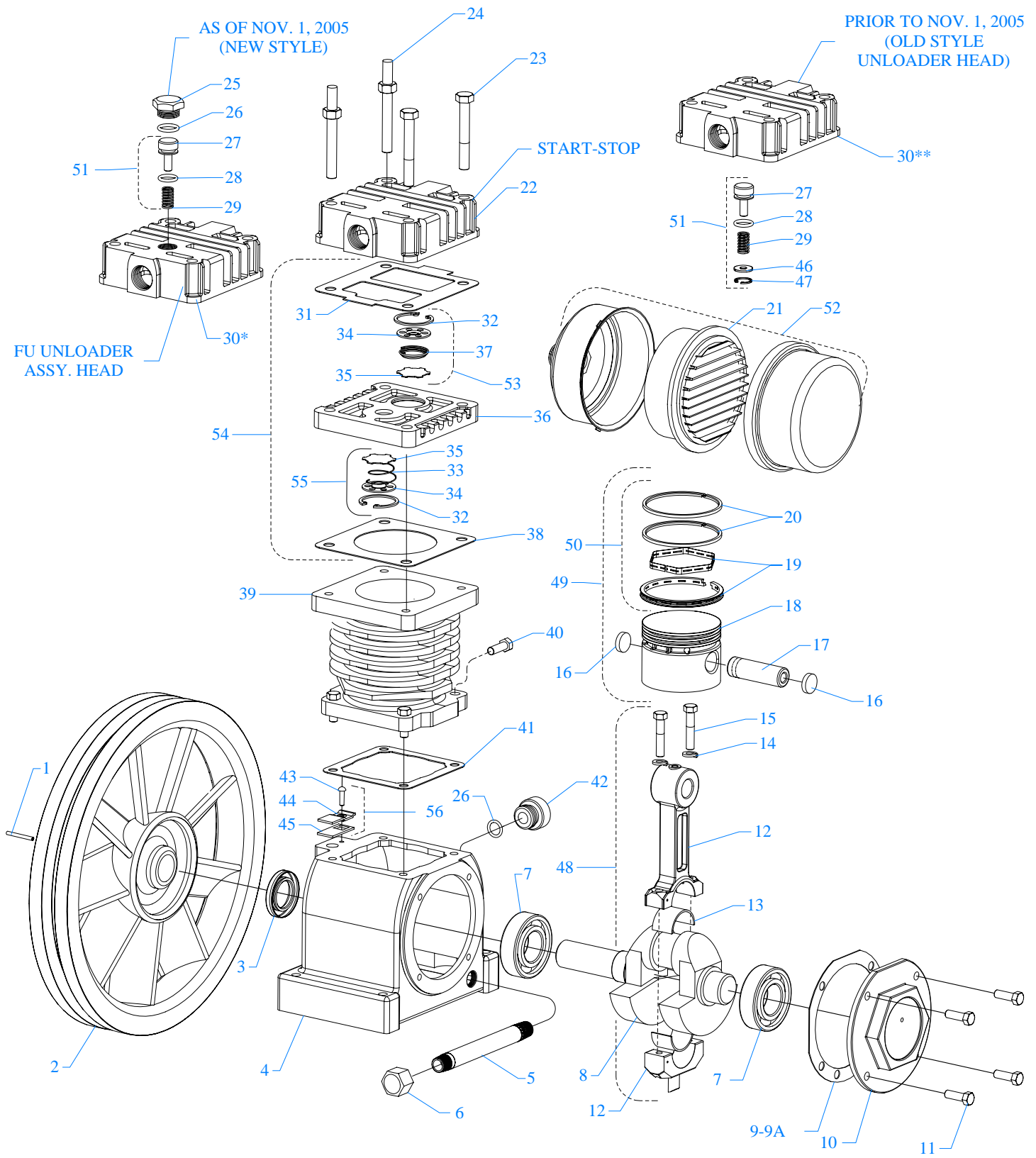
JENNY PRODUCTS, INC.
850 N. Pleasant Ave.
Somerset, Pennsylvania 15501

Parts List for Model F1S-17 Single Phase

NOTE: The quantity number indicates the total number of pieces required for a complete unit repair.

When ordering parts give compressor model, serial number and part number. Order assemblies when possible.

| <u>REF. NO.</u> | <u>PART NO.</u> | <u>DESCRIPTION</u> | <u>QTY.</u> |
|-----------------|-----------------|--|-------------|
| 24 | 120-1108 | KEY,STEEL,BLACK,3/16X3/16X 1-1/2" LENGTH | 1 |
| 25 | 154-1217 | PULLEY,CI,SG,8.0PDA,5/8,AK84X5/8 | 1 |
| 26 | 130-1010 | MOTOR,1HP,115-230/60/1,1725RPM,ODP | 1 |
| 27 | 120-1018 | SCREW,FLANGE,HEX,SERR,ST,PLD,5/16-18X3/4 | 4 |
| 28 | 123-1032 | CONNECTOR,CABLE,BX,90 DEG,3/8" | 1 |
| 29 | 123-1003 | WIRE,ASSY,BX,14/2,WITH GROUND | 2FT |
| 30 | 122-1137 | NIPPLE,CLOSE,STEEL,SCH 40,PLATED,1/4" | 1 |
| 31 | 140-1079 | SWITCH,PSI,2HP,30-40#,UNLOADER,PAV 14-60 | 1 |
| 32 | 123-1029 | CONNECTOR,ROMEX,CLAMP,STRAIGHT,3/8" | 1 |
| 33 | 141-1018 | VALVE,SAFETY,ASME,1/4",65 PSI,SVU65 | 1 |
| 34 | 141-1078 | VALVE,BALL,OUTLET,1/4 TURN,1/2"M X 1/2"F | 1 |
| 35 | 220-1059 | BLOCK,MANIFOLD,AL,5 PORT,SPRINKLER,MC-5S | 1 |
| 36 | 122-1088 | NIPPLE,STEEL,SCH 80,PLATED,1/2" X 2" | 1 |
| 37 | 122-1206 | BUSHING,REDUCER,HEX,ST,PLTD,3/4" X 1/2"N | 1 |
| 38 | 142-1000 | GAUGE,PSI,200#,BK MT,JENNY,2",1/4NPT,PG2 | 1 |
| NOT SHOWN | 610-1225 | KIT,ELEMENT,FILTER,G54E,PKG OF 4,G54EP | 1 |
| NOT SHOWN | 105-1209 | OIL,PUMP,SYNTHETIC,BLUE,1 QUART,ESQ | 1 |



MODEL F & FU
One Cylinder Single Stage
2-1/2" Bore X 1-3/4" Stroke

JENNY PRODUCTS INC
850 N. Pleasant Ave.
Somerset, Pennsylvania 15501

Parts List for Model F & FU Pump Assembly

NOTE: The quantity number indicates the total number of pieces required for a complete unit repair.
When ordering parts give compressor model, serial number and part number. Order assemblies when possible.

| <u>REF. NO.</u> | <u>PART NO.</u> | <u>DESCRIPTION</u> | <u>QTY.</u> |
|-----------------|-----------------|--|-------------|
| 1 | 120-1163 | PIN,ROLLED,COILED,STL,BLK,1/4ODX1L,K25 | 1 |
| 2 | 220-1093 | FLYWHEEL,K PUMP,CI,10-3/8,1 GROOVE,K23A | 1 |
| 3 | 150-1036 | SEAL,OIL,LIP,SINGLE,0.875 DIA,K11E | 1 |
| 4 | 220-1000 | CRANKCASE,F PUMP,CI,MACHINED,F1 | 1 |
| 5 | 122-1034 | NIPPLE,STEEL,SCH 40,1/4" X 5" L | 1 |
| 6 | 122-1083 | CAP,HEX,MI,1/4"NPT | 1 |
| 7 | 150-1000 | BEARING,BALL,K9 | 2 |
| 8 | 220-1002 | CRANKSHAFT,F PUMP,CI,MACHINED,F20A | 1 |
| 9 | 104-1000-01 | GASKET,CAP,BEARING,F&K&G PUMP,1/32THK,L3 | 1 |
| 9A | 104-1000-02 | GASKET,CAP,BEARING,F&K&G PUMP,1/64THK,L4 | 1 |
| 10 | 220-1001 | CAP,BEARING,K PUMP,CI,MACHINED,K2 | 1 |
| 11 | 120-1004 | SCREW,CAP,HEXHD,GR5,ST,BLK,1/4-20X3/4 (10 FTLB) | 4 |
| 12 | 310-1001-01 | ROD,CONNECTING,ALUM,MACHINED,L21L&L21K | 1 |
| 13 | 150-1011 | BEARING,ROD,CONNECTING,PUMP,F,K,G | 2 |
| 14 | 120-1010 | WASHER,LOCK,SPLIT,ST,BLK,HIGH CLLR,1/4" | 2 |
| 15 | 120-1010 | SCREW,ROD,STEEL,W/LOCK WASHER,1/4-20,L22 (10 FTLB) | 2 |
| 16 | 104-1103 | BUMPER,WRIST PIN,PLASTIC,K36A | 2 |
| 17 | 150-1005 | PIN,PISTON,STEEL,HARDENED,K35 | 1 |
| 18 | 220-1005 | PISTON,PUMP,ALUMINUM,MACHINED,K32 | 1 |
| 19 | 610-1065 | KIT,RING,OIL,W/EXPANDER,ASSY,K34 | 1 |
| 20 | 150-1003 | RING,COMPRESSION,PISTON,STEEL,EBA 22,K33 | 2 |
| 21 | 150-1104 | ELEMENT,FILTER,AIR,COMPRESSOR,JENNY,G54E | 1 |
| 22 | 220-1007 | HEAD,START/STOP,F PUMP,CI,MACHINED,F50 | 1 |
| 23 | 120-1028 | SCREW,CAP,HEXHD,GR5,ST,BLK,5/16-18X2-1/4 (22 FTLB) | 2 |

Parts List for Model F & FU Pump Assembly

NOTE: The quantity number indicates the total number of pieces required for a complete unit repair.
 When ordering parts give compressor model, serial number and part number. Order assemblies when possible.

| <u>REF. NO.</u> | <u>PART NO.</u> | <u>DESCRIPTION</u> | <u>QTY.</u> |
|-----------------|-----------------|--|-------------|
| 24 | 120-1252 | BOLT,STUD,HEX,ST,5/16-18X2-1/4X5/8,K52-1 (22 FTLB) | 2 |
| 25 | 122-1051 | PLUG,HEX ,BRASS,11/16-16 UN-2B X .550 | 1 |
| 26 | 104-1015 | RING,O,BUNA-N,1/2"IDX11/16"ODX3/32"THK | 2 |
| 27 | 150-1028 | PISTON,UNLOADER,VALVE,BRASS,KU81 | 1 |
| 28 | 104-1020 | RING,O,SILICON,7/16"IDX5/8"ODX3/32"THK | 1 |
| 29 | 150-1020 | SPRING,VALVE,UNLOADER,INTAKE, KU83 | 1 |
| 30 | 310-1005 | HEAD,UNLOADING,F PUMP,ASSY,FU180 | 1 |
| 31 | 104-1005 | GASKET,HEAD,F PUMP,1/32THK,F51 | 1 |
| 32 | 150-1041 | RETAINER,VALVE,STEEL,PAS,0.062"THK,K43 | 2 |
| 33 | 150-1017 | SPRING,CONE,SS,VALVE,INTAKE,K45 | 1 |
| 34 | 109-1010 | VALVE,BUMPER,STEEL,K44 | 2 |
| 35 | 109-1011 | VALVE,DISC,STAINLESS STEEL,K47 | 2 |
| 36 | 220-1006 | PLATE,VALVE,F PUMP,CI,MACHINED,F40 | 1 |
| 37 | 150-1018 | SPRING,CONE,SS,VALVE,DISCHARGE,K46 | 1 |
| 38 | 104-1004 | GASKET,PLATE,VALVE,F PUMP,1/32THK,F41 | 1 |
| 39 | 360-1151 | CYLINDER,F PUMP,CI,PAINTED,BLUE,F30 | 1 |
| 40 | 120-1004 | SCREW,CAP,HEXHD,GR5,ST,BLK,1/4-20X3/4 (10 FTLB) | 4 |
| 41 | 104-1003 | GASKET,CYLINDER,F PUMP,1/32THK,F31 | 1 |
| 42 | 610-1021 | PLUG,CRANKCASE,FILL,OIL,W/O-RING,F14 | 1 |
| 43 | 120-1162 | PIN,GROOVE,STEEL,PLATED,# 7X1/2"LONG,K18 | 1 |
| 44 | 230-1001 | RETAINER,BREATHER,CRANKCASE,PLASTIC,F17 | 1 |
| 45 | 230-1000 | SEAL,BREATHER,CRANKCASE,RUBBER,F16 | 1 |
| 46 | 150-1042 | WASHER,BRASS,1/32X 0.605ODX1/4 ID,KU84 | 1 |

Parts List for Model F & FU Pump Assembly

NOTE: The quantity number indicates the total number of pieces required for a complete unit repair.
 When ordering parts give compressor model, serial number and part number. Order assemblies when possible.

| <u>REF. NO.</u> | <u>PART NO.</u> | <u>DESCRIPTION</u> | <u>QTY.</u> |
|-----------------|-----------------|---|-------------|
| 47 | 120-1167 | RETAINER,INTERNAL,ST,0.035X 0.665,KU85 | 1 |
| Assemblies | | | |
| 48 | 310-1043 | ROD,CONNECTING,W/BEARNG INSERT,L21L&L21K INCLUDES 12,13,14(2),15(2) | 1 |
| 49 | 610-1028 | PISTON,W/RINGS&PIN,ASSY,K132 INCLUDES 16(2), 17, 18, 19, 20(2) | 1 |
| 50 | 610-1019 | KIT,PUMP,RING,PISTON,F PUMP,ASSY,F133 INCLUDES 19, 20 (2) | 1 |
| 51 | 610-1042 | VALVE,UNLOADER,HEAD,PUMP,ASSY,KU181 INCLUDES 27, 28, 29, 46, 47 | 1 |
| 52 | 320-1121 | FILTER,W/DECALS,ASSY,G154S | 1 |
| 53 | 610-1031 | VALVE,SUCTION,ASSY,K145 INCLUDES 32, 33, 34, 35 | 1 |
| 54 | 610-1023 | PLATE,VALVE,W/VALVES,ASSY,F140 INCLUDES 31, 36, 38, 53, 55 | 1 |
| 55 | 610-1032 | VALVE,DISCHARGE,ASSY,K146 INCLUDES 32, 34, 35, 37 | 1 |
| 56 | 610-1018 | VALVE,BREATHER,CRANKCASE,F PUMP,ASY,F119 INCLUDES 43, 44, 45 | 1 |
| 57 | 610-1016 | KIT,GASKET,F PUMP,ASSY,F100 INCLUDES 9, 9A, 31, 38 ,41 | 1 |
| 58 | 610-1139 | KIT,BASIC,REPAIR,F PUMP,F101 INCLUDES 21, 50, 53, 55, 56, 57 W/G54E | 1 |
| 58A | 610-1139 | KIT,BASIC,REPAIR,F PUMP,F101 INCLUDES 50, 53, 55, 56, 57 W/F54 OLD STYLE | 1 |
| 59 | 610-1140 | KIT,BASIC,REPAIR,FU PUMP,FU101 INCLUDES 51, 58 W/G54E | 1 |
| 59A | 610-1140 | KIT,BASIC,REPAIR,FU PUMP,FU101 INCLUDES 50, 53, 55, 56, 57 W/F54 OLD STYLE | 1 |
| NOT SHOWN | 230-1002 | FILTER,AIR,INSERT,FOAM,PUMP F,F54 Old Style | 1 |
| NOT SHOWN | 610-1024 | KIT,FILTER,INSERT,PKG OF 6,F PUMP,F54P | 1 |
| NOT SHOWN | 105-1209 | OIL,PUMP,SYNTHETIC,BLUE,1 QUART,ESQ | 1 |